

**Series** VT6E \* - 066 - 3 R 00 - A 1 \*

**Y** - Metric port connection, Omit for UNC

**Cam ring**

Volumetric displacement  $\text{cm}^3/\text{rev}$  ( $\text{in}^3/\text{rev}$ )

042 = 132.3 (8.07)  
 045 = 142.4 (8.69)  
 050 = 158.5 (9.67)  
 052 = 164.8 (10.06)  
 057 = 180.7 (11.02)  
 062 = 196.7 (12.00)  
 066 = 213.3 (13.02)  
 072 = 227.1 (13.86)  
 085 = 269.8 (16.46)

**Type of shaft**

1 - keyed (SAE CC)  
 2 - keyed (no SAE)  
 3 - splined (SAE C)  
 4 - splined (SAE CC)  
 T - splined (SAE J718C)

**Modifications**

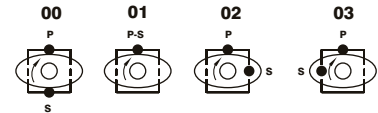
**Seal class**

- 1 - S1 (for mineral oil)
- 4 - S4 (for fire resistant fluids)
- 5 - S5 (for mineral oil and fire resistant fluids)

**Design letter**

**Porting combination**

00 - standard

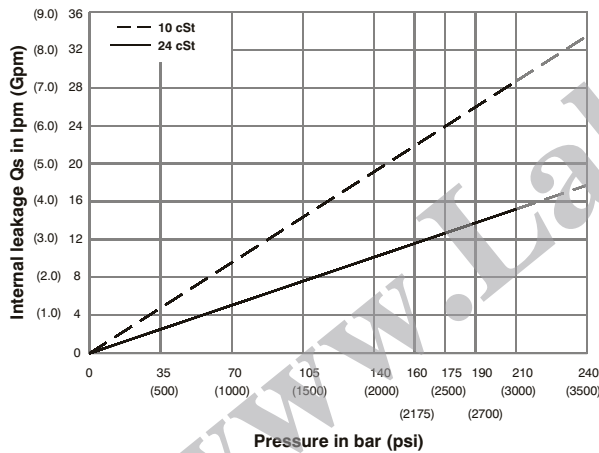


S - Suction port P - Pressure port

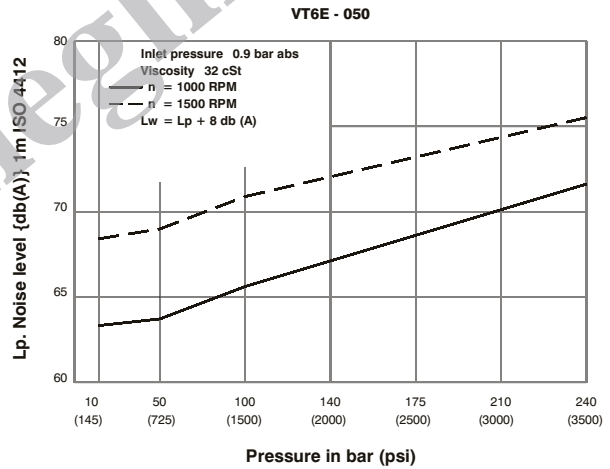
**Direction of rotation (view on shaft end)**

- R - clockwise
- L - counter-clockwise

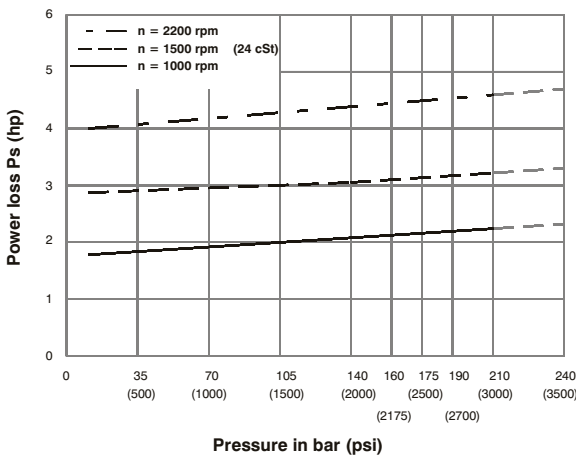
**INTERNAL LEAKAGE (TYPICAL)**



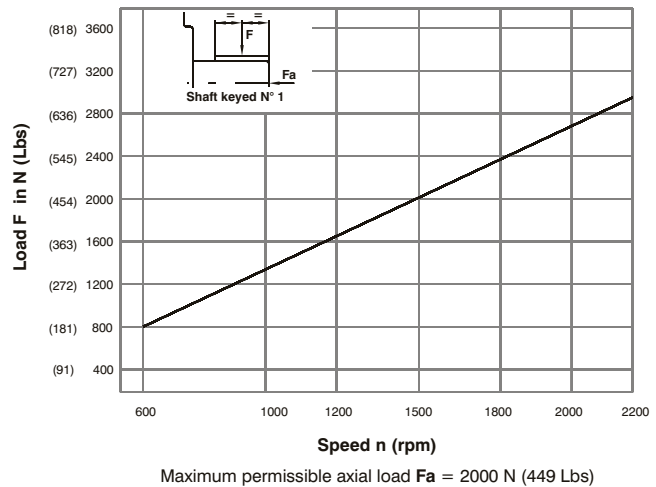
**NOISE LEVEL (TYPICAL)**



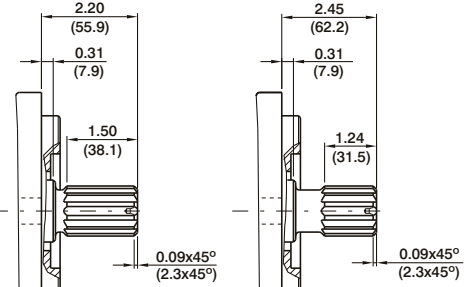
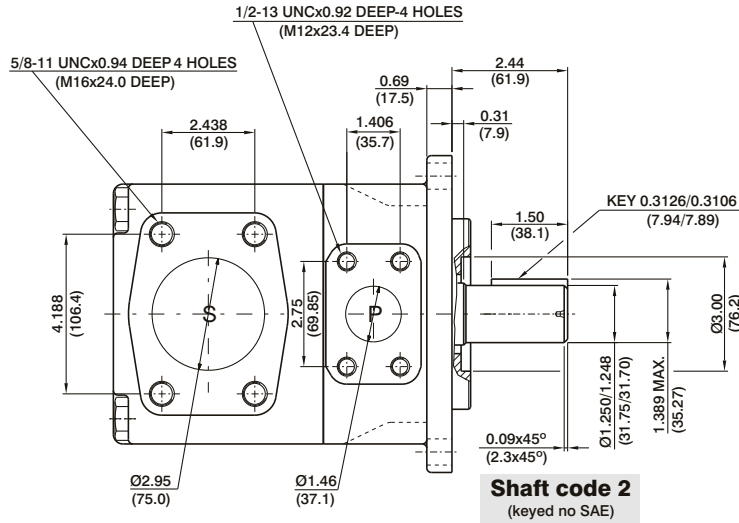
**HYDROMECHANICAL POWER LOSS (TYPICAL)**



**PERMISSIBLE RADIAL LOAD**

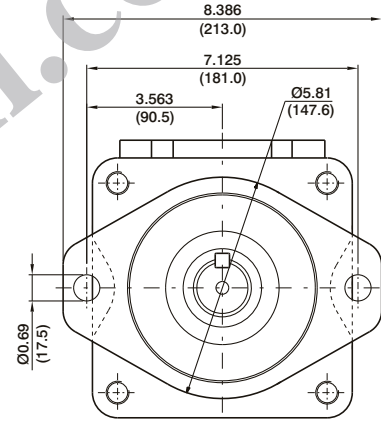
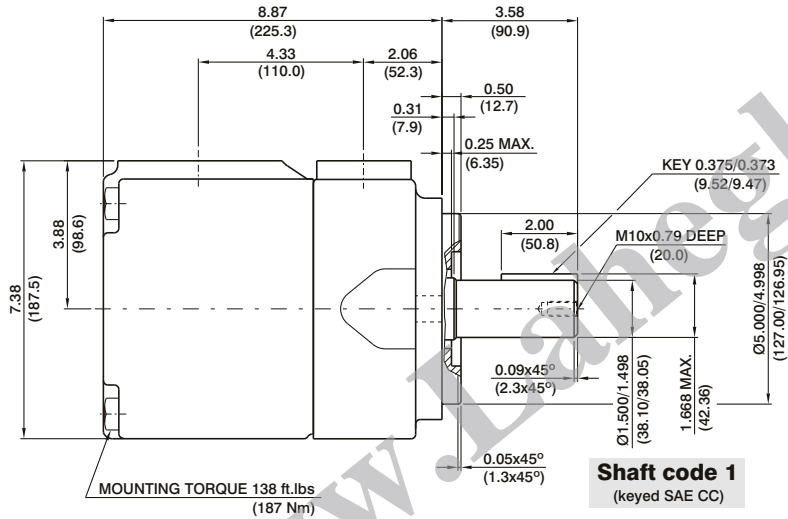


SP

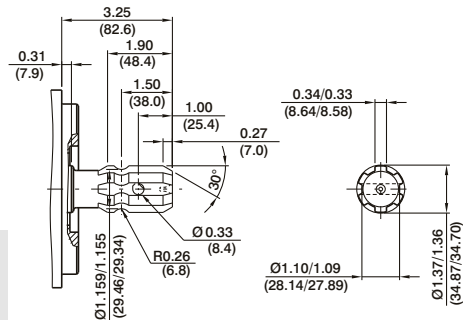


**Shaft code 3**  
SAE C splined shaft  
Class 1-J498b  
12/24 dp. 14 teeth  
30° pressure angle  
flat root side fit

**Shaft code 4**  
SAE CC splined shaft  
Class 1-J498b  
12/24 dp. 17 teeth  
30° pressure angle  
flat root side fit



Shaft torque limits in <sup>3</sup> /rev x psi (ml/rev x bar)	
Shaft	V <sub>p</sub> x p max.
1	48273 (54555)
2	30638 (34590)
3	54207 (61200)
4	54207 (61200)



## OPERATING CHARACTERISTICS - TYPICAL (24 cST)

Pressure port	Series	Volumetric Displacement V <sub>p</sub>		Flow q & n = 1500 rpm						Input power p & n = 1500 rpm					
				p = 0 bar (0 psi)		p = 140 bar (2000 psi)		p = 240 bar (3500 psi)		p = 7 bar (100 psi)		p = 140 bar (2000 psi)		p = 240 bar (3500 psi)	
				in <sup>3</sup> /rev	cm <sup>3</sup> /rev	gpm	lpm	gpm	lpm	gpm	lpm	hp	kw	hp	kw
VT6E	042	8.07	132.3	52.50	198.5	49.87	188.5	47.96	181.3	6.97	5.2	66.25	49.4	110.77	82.6
	045	8.70	142.4	56.51	213.6	53.86	203.6	51.98	196.5	7.24	5.4	70.94	52.9	118.95	88.7
	050	9.67	158.5	62.88	237.7	60.24	227.7	58.36	220.6	7.64	5.7	78.45	58.5	131.82	98.3
	052	10.00	164.8	65.40	247.2	62.75	237.2	60.87	230.1	7.78	5.8	81.53	60.8	136.92	102.1
	057	11.02	180.7	71.71	271.1	69.07	261.1	67.19	254.0	8.18	6.1	89.04	66.4	143.35	106.9
	062	12.00	196.7	78.04	295.0	75.40	285.0	73.52	277.9	8.58	6.4	96.42	71.9	162.67	121.3
	066	13.00	213.3	84.63	319.9	81.98	309.9	80.11	302.8	8.98	6.7	104.20	77.7	175.94	131.2
	072	13.86	227.1	90.11	340.6	87.46	330.6	85.58	323.5	9.25	6.9	110.77	82.6	187.07	139.5
	085 <sup>1,2)</sup>	16.40	269.8	107.00	404.7	105.21	397.7	--	--	9.78	7.3	87.56	65.3	--	--

1) 085 = 2000 RPM max.

2) 085 = 75 bar (1100 psi) cont.

085 = 90 bar (1300 psi) max. int.